

OWNER'S OPERATING MANUAL

WINTER DUSTMAX I DUST COLLECTOR



Henrik Winter Holztechnik GmbH

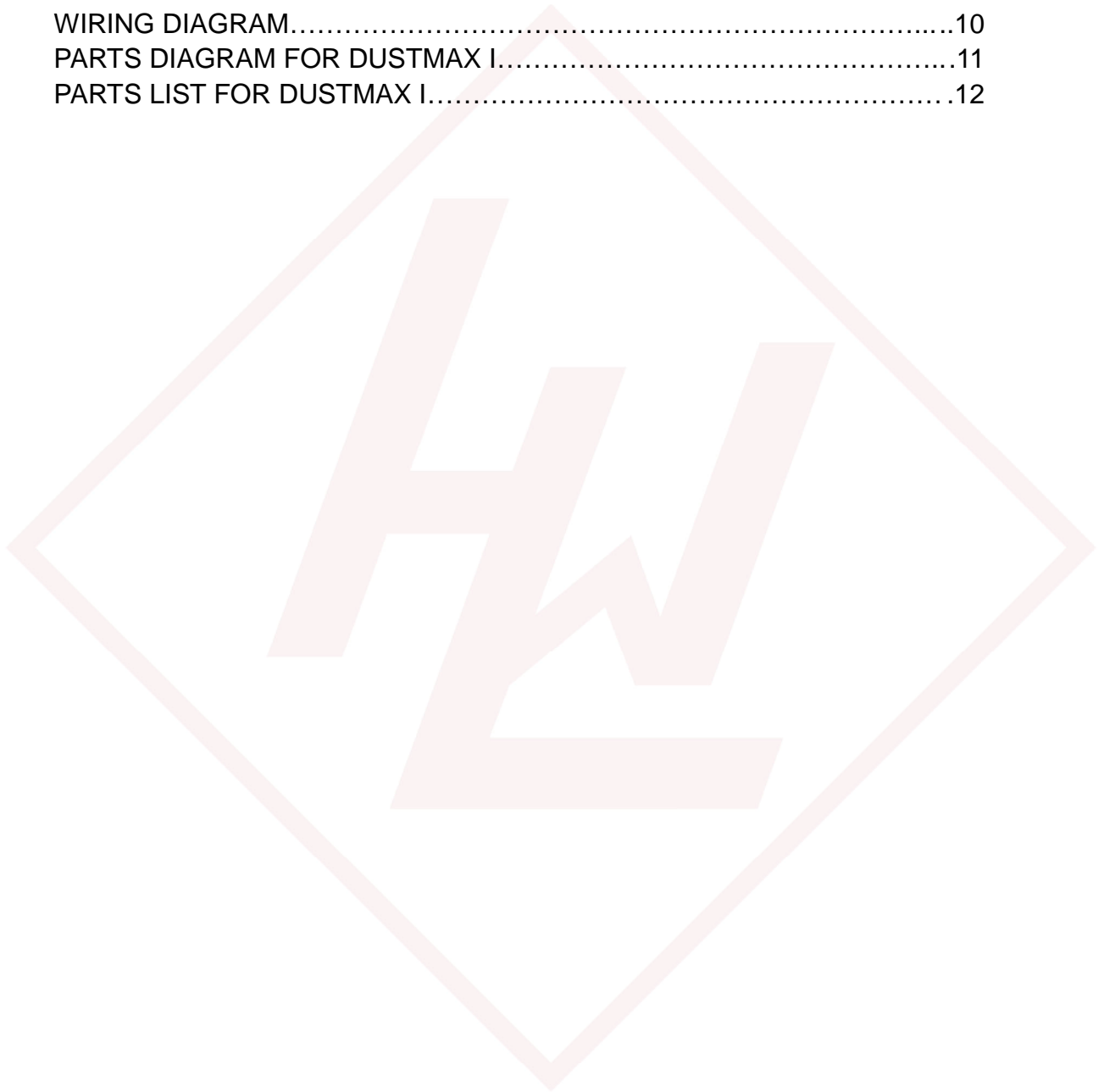
Druckereistr. 8, 04159 Leipzig

Tel: +49 (0)341/ 4619021 Fax: +49 (0)341/4618358 Funk: +49 (0)171/2820443

Em@il: info@winter-holztechnik.de Internet: www.winter-holztechnik.de

CONTENTS

TECHNICAL DATA.....	1
UNPACKING AND CHECKING CONTENTS.....	2
ASSEMBLY.....	3
SAFETY RULES.....	9
WIRING DIAGRAM.....	10
PARTS DIAGRAM FOR DUSTMAX I.....	11
PARTS LIST FOR DUSTMAX I.....	12

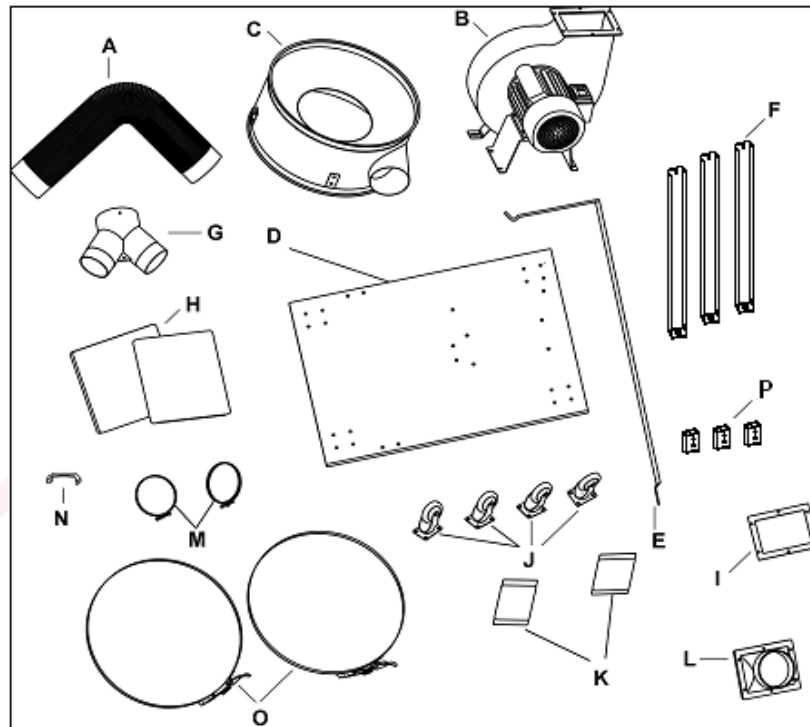


DUSTMAX I TECHNICAL DATA

Motor power (Watt)	1500
Inlet diameter (mm)	1-125/2-100
Fan diameter (mm)	300
Bag capacity (cubic meter)	0.15
Collection capacity (CFM)	1490
Overall size (LWH)(MM)	850x560x1860
Weight (kgs)	47

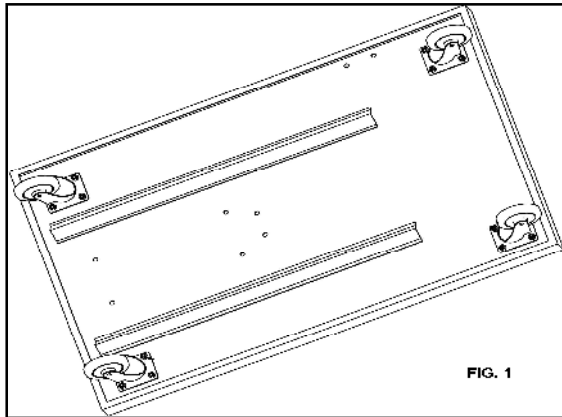
UNPACKING AND CHECKING CONTENTS

Unpack carton, check machine, to see parts listed below:



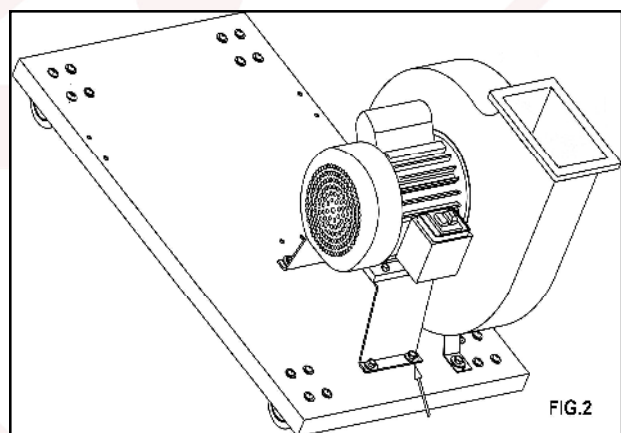
- A. HOSE
- B. COLLECTOR BODY & FAN/MOTOR ASSEMBLY
- C. COLLECTOR
- D. BASE PLATE
- E. UPPER BAG SUPPORT
- F. SUPPORT
- G. INLET
- H. TWO BAGS
- I. PACKING
- J. FOUR CASTERS
- K. NUTS, SCREWS, WASHERS, SPRING WASHERS, AND WRENCH
- L. OUTLET
- M. TWO HOSE CLAMP
- N. HANDLE
- O. BAG CLAMP
- P. COLLECTOR BLOCK

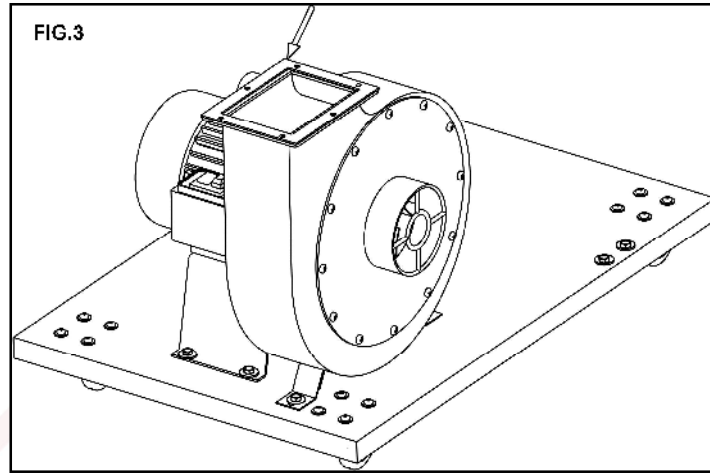
ASSEMBLY



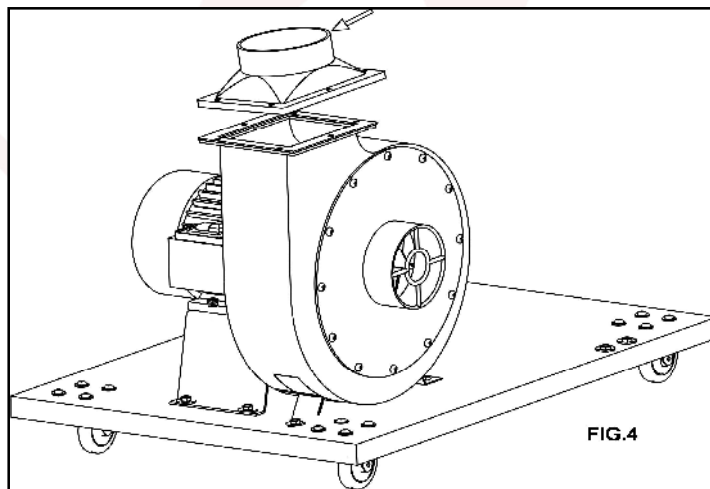
TO ASSEMBLY, FIRST PLACE THE BASE PLATE UPSIDE DOWN AND ATTACH THE FOUR CASTERS TO THE HOLES PROVIDED AND TOGHTEN WITH THE WRENCH. FIG.1

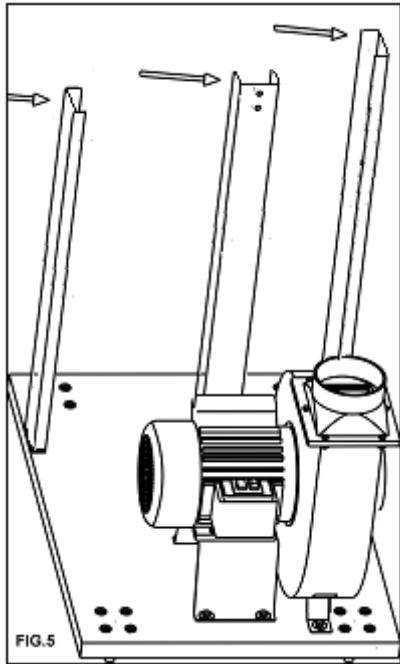
WITH THE COLLECTOR BODY & FAN/MOTOR ASSEMBLY IN PLACE, SECURE IT TO THE BASE PLATE USING THE SCREWS AND WASHERS PROVIDED AS SHOWN IN FIG.2.



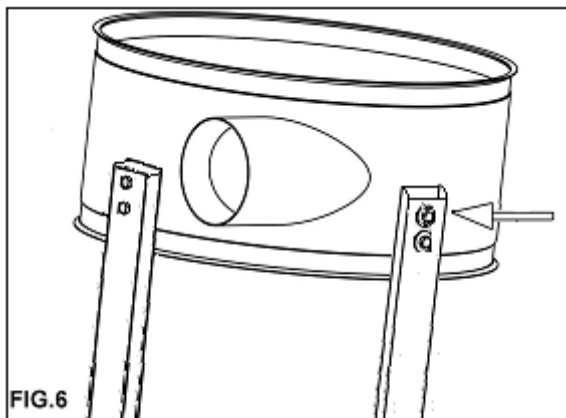


NEXT, MOUNT THE OUTLET , PACKING(I)
TO THE COLLECTOR BODY AS SHOWN IN
FIG.3 AND FIG. 4.

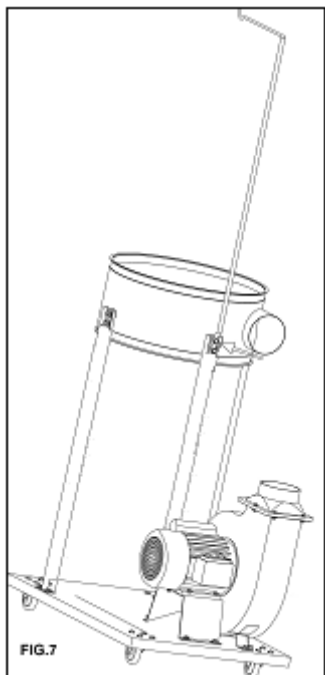




THE COLLECTOR SUPPORT
CAN BE MOUNTED TO THE
BASE PLATE AS SHOWN
FIG.5.

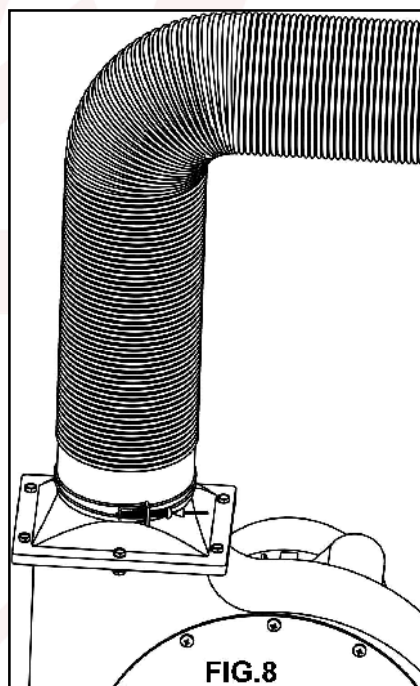


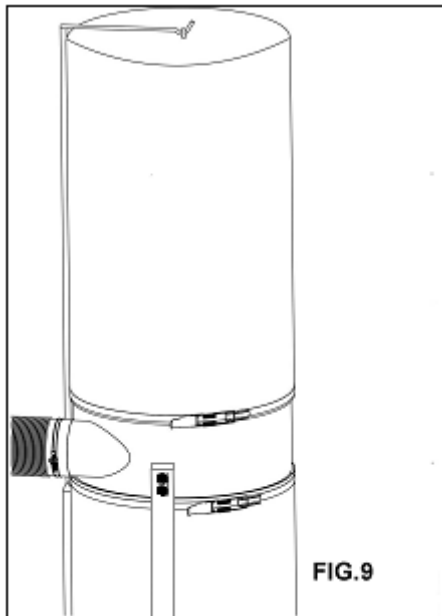
NOW ATTACH THE COLLECTOR TO THE THREE COLLECTOR
SUPPORTS MAKING SURE THE SIDE HOLE IS FACING THE
COLLECTOR BODY AS SHOWN IN FIG.6.



AT THIS TIME THE UPPER BAG SUPPORT BE INSTALLED ONTO THE COLLECTOR SUPPORT AS SHOWN IN FIG.7.

NOW ATTACH ONE END OF THE HOSE TO THE COLLECTOR BODY AND THE OTHER END TO THE SIDE HOLE OF THE COLLECTOR AND SECURE WITH THE TWO HOSE CLAMPS AS SHOWN IN FIG.8.

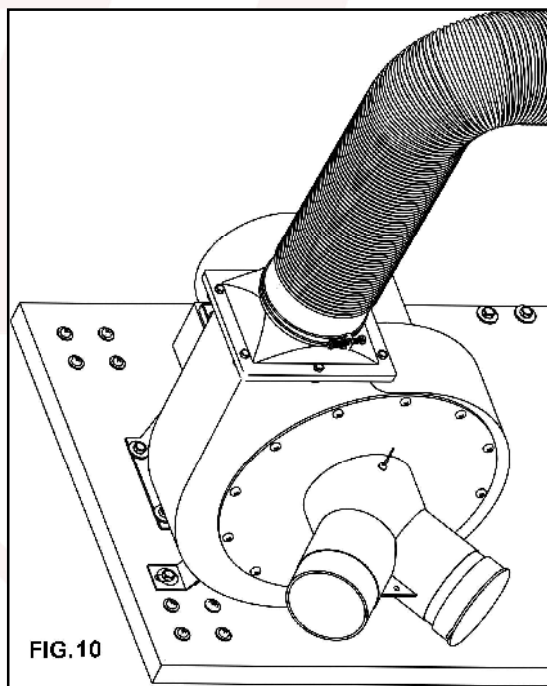


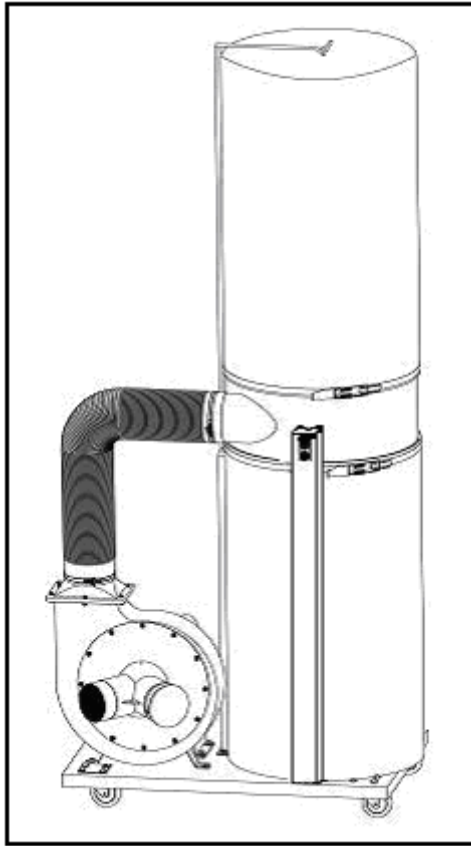


PLACE THE COLLECTOR AND FILTER BAGS ONTO THE COLLECTOR AND SECURE WITH THE BELTS AS SHOWN IN FIG.9.

AFTER THE BAGS ARE SECURED, THE UPPER BAG SHOULD BE HANG FROM THE UPPER BAG SUPPORT AS IN FIG.9.

THE INLET CAN NOW BE PLACED ON THE INTAKE HOLE OF THE FAN/MOTOR ASSEMBLY AS SHOWN IN FIG.10.



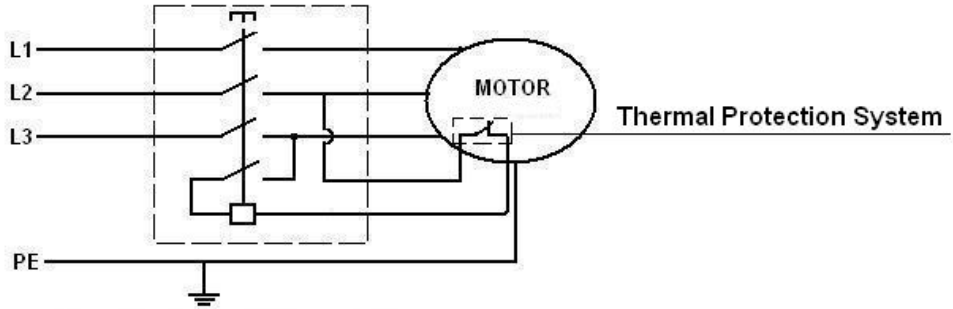


THE DUST COLLECTOR IS NOW READY TO BE PLACED INTO SERVICE. BEFORE CONNECTING TO A POWER SOURCE, BE SURE THE POWER SOURCE IS PROPERLY GROUNDED AND IS OF PROPER VOLTAGE AND AMPERAGE.

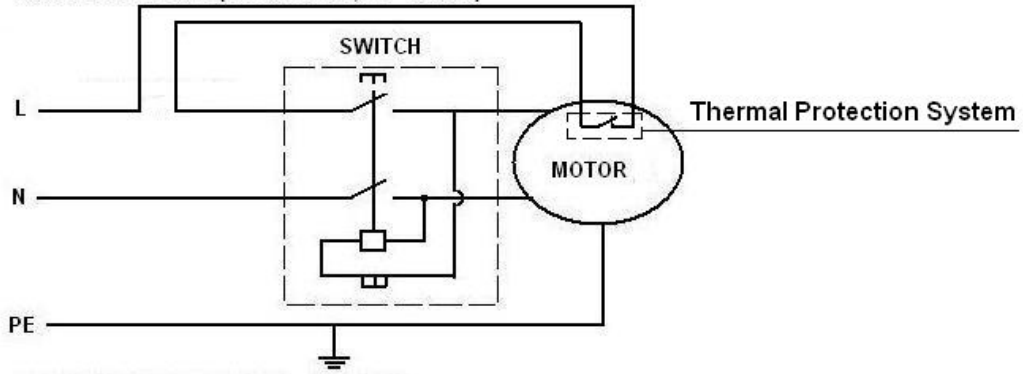
SAFETY RULES

1. Read and become familiar with the entire operating manual.
2. Keep guards and cover in place and in working order.
3. Wear eye protection at all times. Use safety glasses with side shields or safety goggles, meeting the national safety standards, while operating this machine.
4. Keep work area clean and well lighted. Clutter and inadequate lighting invite potential hazards.
5. Ground all tools. If a machine is equipped with a three-prong plug, it must be plugged into a three-hole electrical outlet or grounded extension cord. If using an adapter to aid in accommodating a two hole receptacle, ground using a screw to a known ground.
6. Avoid dangerous environments. Do not operate this machine in wet or flame environments. Airborne dust particles could cause an explosion and severe fire hazard.
7. Make sure switch is in the "OFF" position before connecting power to machine.
8. Keep children and visitors away. All visitors should be kept a safe distance away while operating unit.
9. Childproof workshop with padlocks, master switch or by removing starter keys.
10. Disconnect machine when cleaning, adjusting or servicing.
11. Do not force tool. The machine will do a safer and better job at the rate for which it was designed.
12. Use correct tool. Do not force machine or attachment to do a job for which it was not designed.
13. Wear proper apparel. Do not wear loose clothing, neck ties, gloves, jewelry, etc.
14. Remove adjusting keys and wrenches. Before turning the machine on, make it a habit to check that all adjusting keys and wrenches have been removed.
15. Do not leave machine unattended. Wait until it comes to a complete stop before leaving the area.
16. Do not use dust collector for anything except wood dust. Material such as liquids, metal shavings, metal dust, screw, glass, plastic or rock can cause sparks when coming into contact with any part of the collection system.
17. Do not place your hands, lumber or tools near inlet opening while machine is running or connected to power.
18. Always wear a respirator and safety glasses when removing, emptying or replacing collection bags. Secure bags tightly to dust collector to avoid bags from "blowing off".

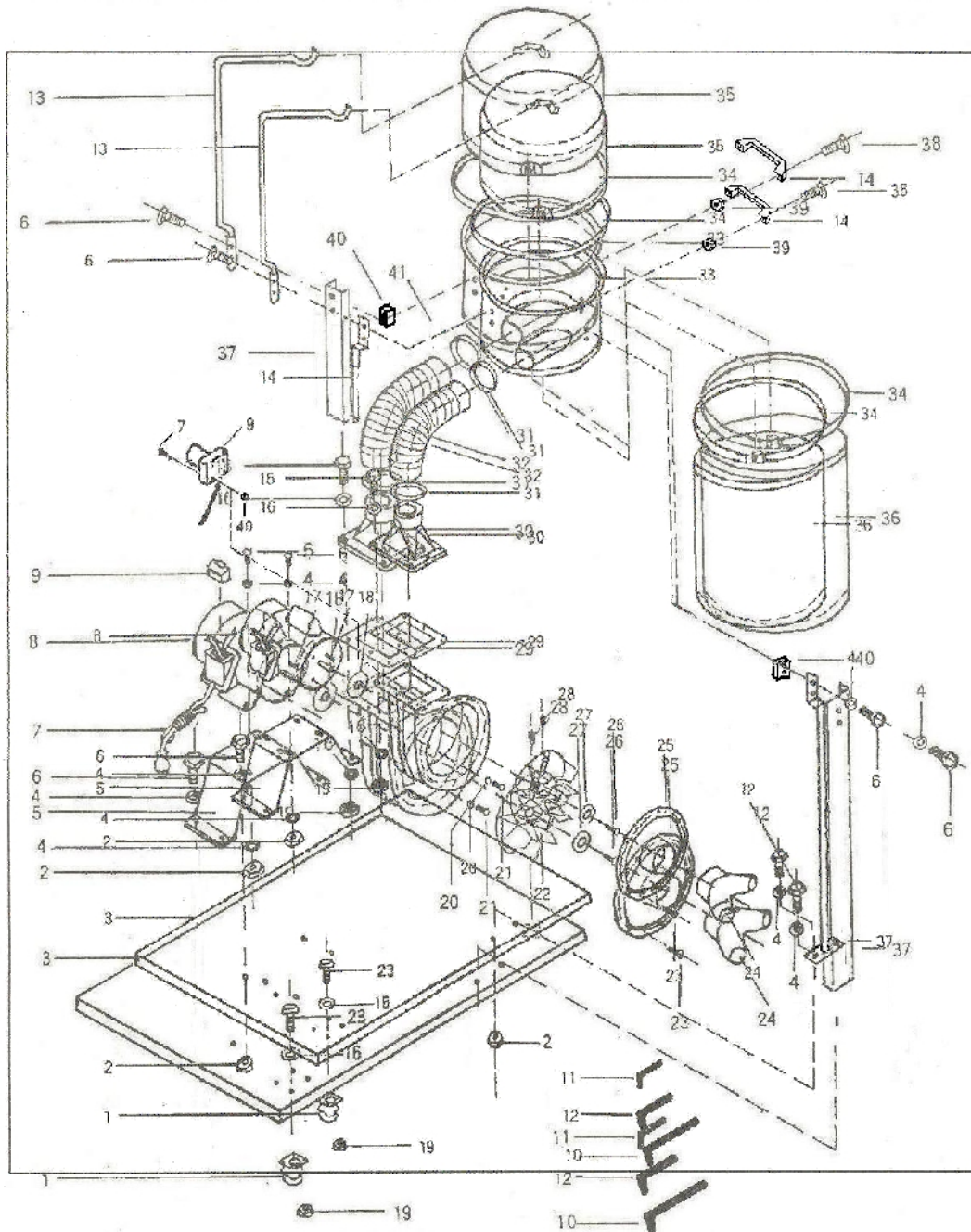
● WIRE DIAGRAM : (400V/50Hz, 3PHASE)
SWITCH



● WIRE DIAGRAM: (230V/50Hz, 1 PHASE)



DUSTMAX I PARTS DIAGRAM



DUSTMAX I PARTS LIST

NO.	DESCRIPTION	NO.	DESCRIPTION
1	CASTER	21	SCREW HEX
2	NUT	22	TURBO FAN
3	BASE PLATE	23	SCREW HEX
4	WASHER	24	INLET
5	MOTOR BASE	25	INLET COVER
6	SCREW HEX	26	SCREW HEX
7	PLUG CABLE	27	WASHER
8	MOTOR	28	SCREW HEX
9	SWITCH	29	PACKING
10	WRENCH HEX	30	OUTLET
11	WRENCH HEX	31	HOSE CLAMP
12	WRENCH HEX	32	HOSE
13	UPPER BAG SUPPORT	33	COLLECTOR
14	HANDLE	34	HOSE CLAMP
15	SCREW HEX	35	FILTER BAG
16	WASHER	36	COLLECTOR BAG
17	KEY	37	COLLECTOR SUPPORT
18	PACKING	38	SCREW
19	NUT	39	NUT
20	WASHER	40	SUPPORT BLOCK